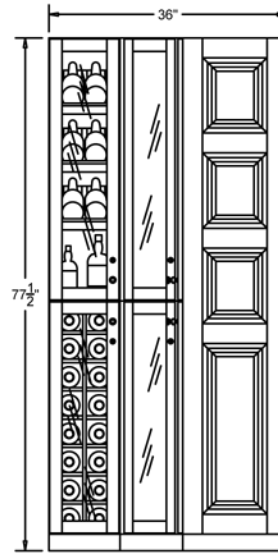
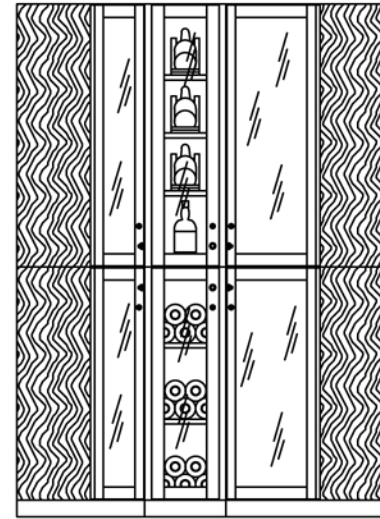


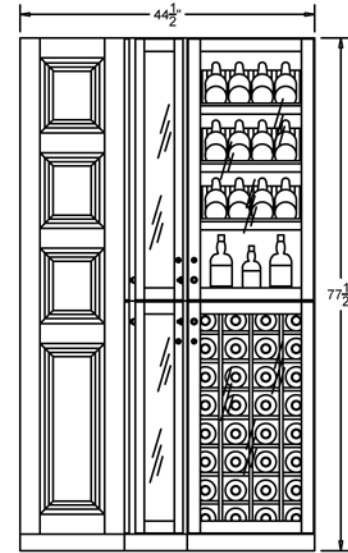
ELEVATION -D-



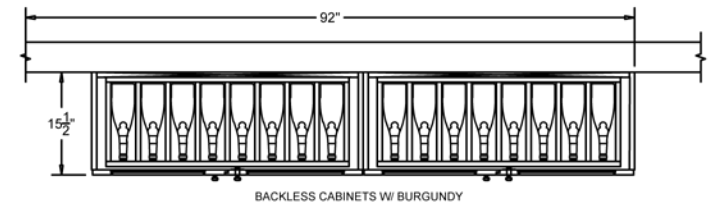
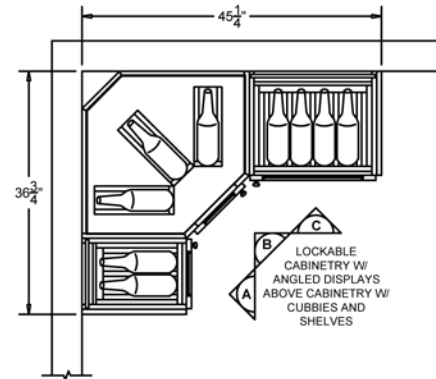
ELEVATION -A-



ELEVATION -B-



ELEVATION -C-



85 INDUSTRIAL PARK DRIVE  
DOVER, NH 03820  
P 603-285-0400 F 603-285-0420

Copyright © 2014 Vigilant Inc. All Rights Reserved

REFERENCE FILE:

C90348

BOTTLE CAPACITY:

509

REFLECTIVE STYLE:

CUSTOM