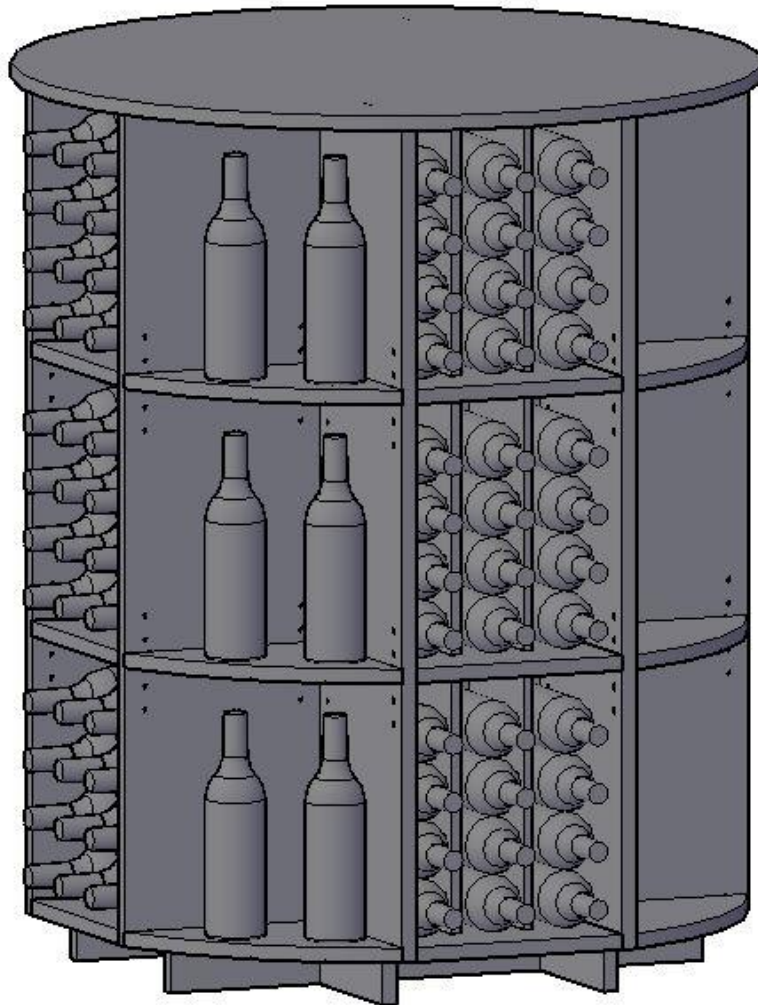




Assembly Instructions

ROUND ISLAND DISPLAY



Congratulations! You have purchased the finest wine racking available anywhere. Properly assembled, your Vigilant wine racks will outlast even your finest wines. Please call toll free 888-812-4427 if you have any questions or problems.

Tools Required for Assembly

- Electric drill or cordless screw gun
- 9/64" drill bit
- Phillips Head Screwdriver
- #2 Square drive bit / #2 Phillips bit
- Hammer, preferably rubber or soft-faced

Tips for Building Your Wine Racks

If you are using a powered screw gun that has a clutch, make sure to set it at a low setting first until you find the right setting. If you have it set high it may over-tighten and then split the wood.

Pre-drill all screw holes with a 9/64" drill bit. This makes it less likely for your wood to split. (The easiest way to do this is to follow the pre-drilled holes provided on certain pieces as your guide.)

The best placement for your screws, to secure adjacent racks is behind the applied face frame. This keeps the screws hidden and keeps your rack secure and steady.

Hardware Supplied



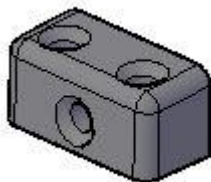
48 - 1 1/2" Wood Screw



48 - Shelf Pins



96 - Divider pins

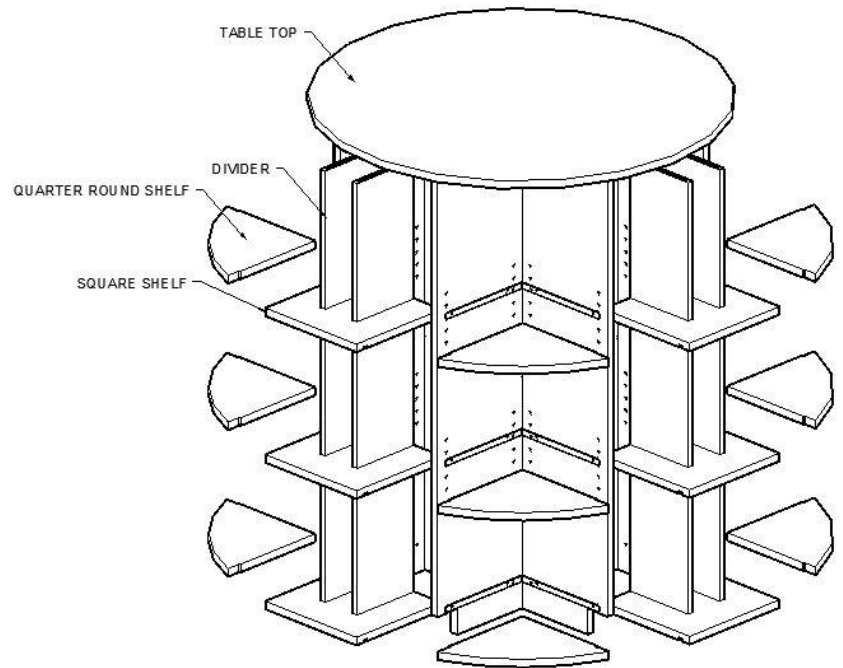
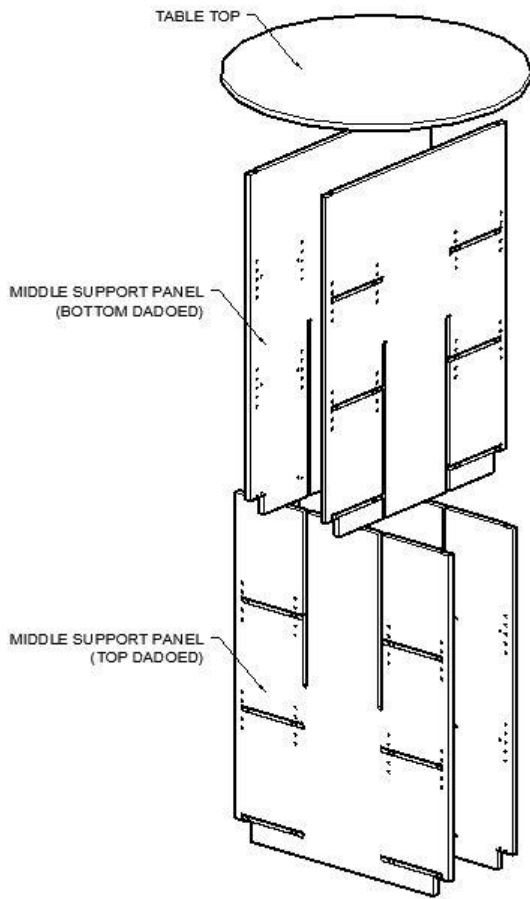


4 - Modesty Blocks



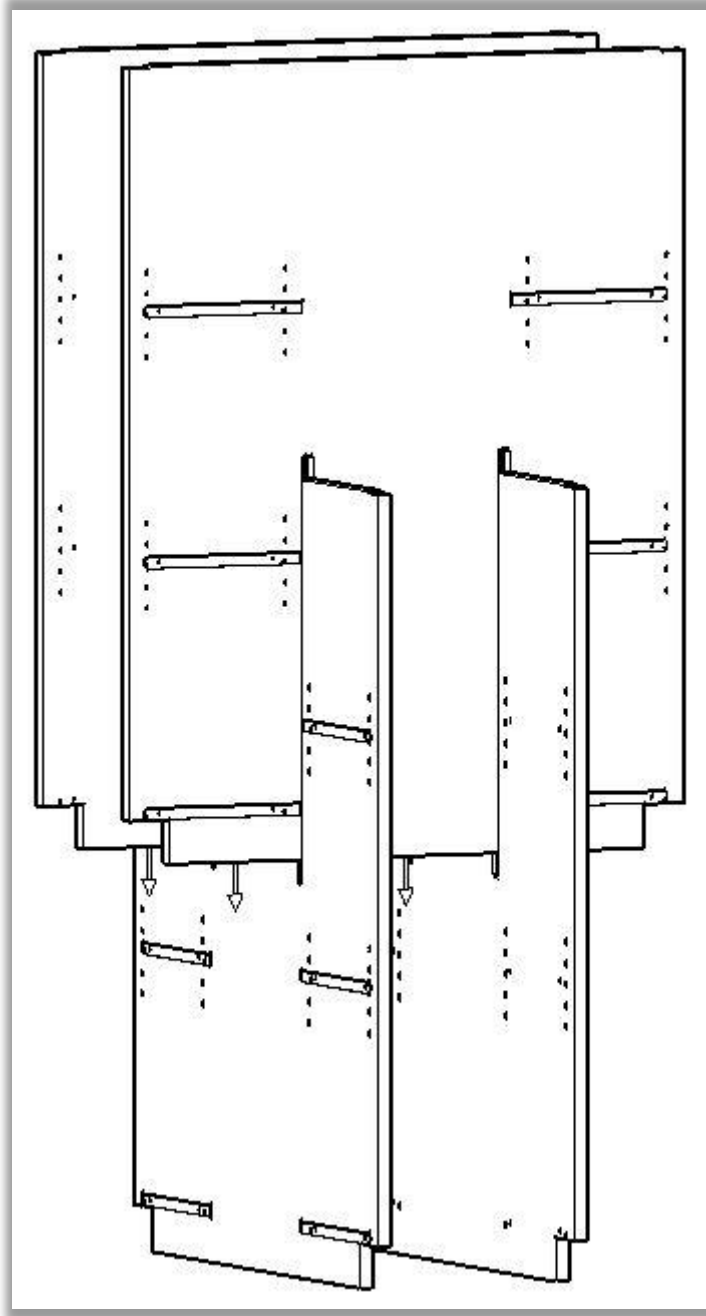
12 - 1" Wood Screws

Exploded Views

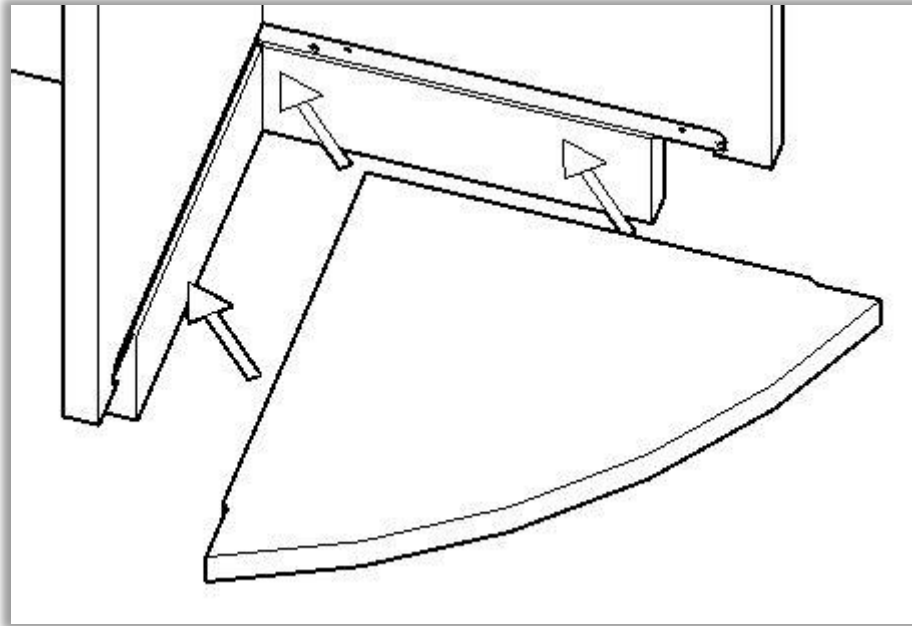


STEPS FOR ASSEMBLY

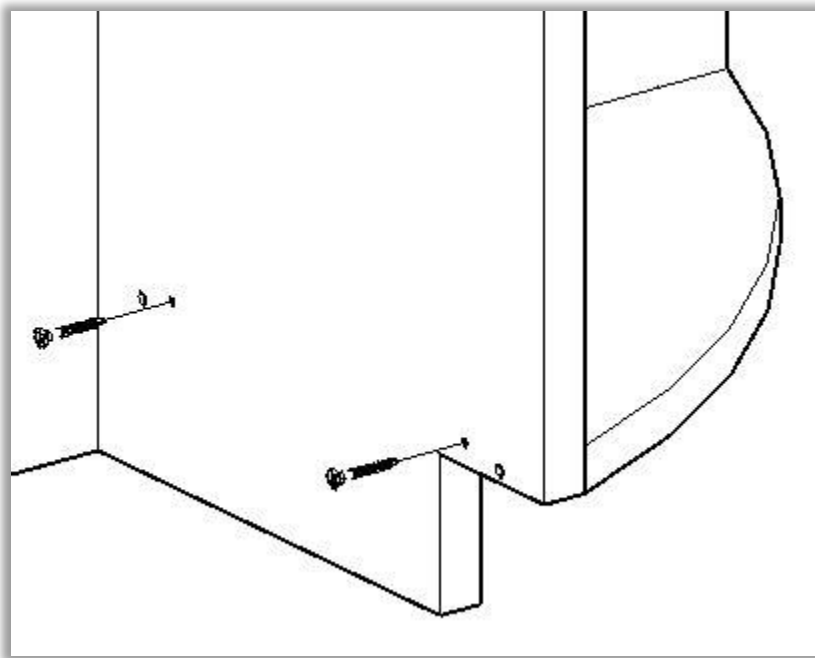
1. Locate the four middle support panels. With the assistance of a helper carefully slide the four pieces together.



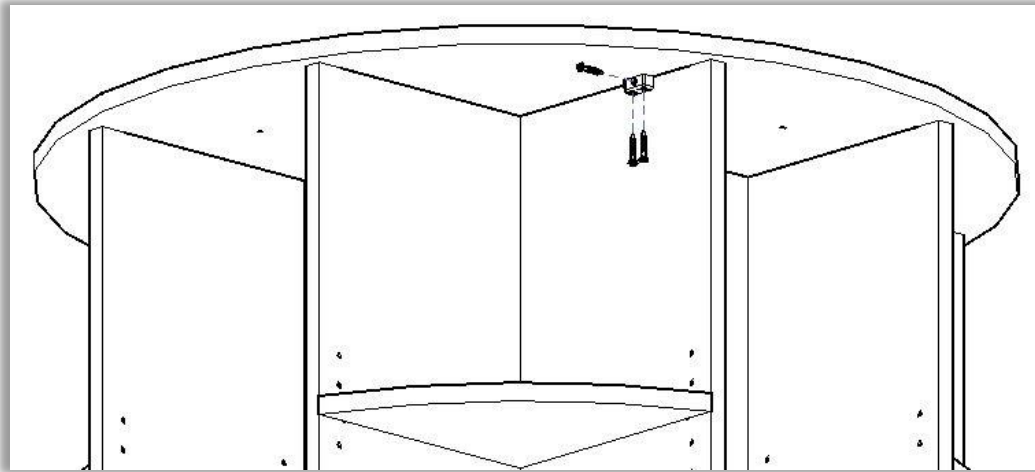
2. Locate the quarter round shelves and supplied screws (1 1/2").
3. Starting at the bottom, carefully slide the quarter round shelf into place



4. Fasten shelf into place using 1 ½” wood screws at all four (2 per edge) pre-drilled locations. It is optional, however not required, to apply a small bead of wood glue before fastening. Please note the proper location for screwing, **DO NOT SCREW INTO THE LARGER DIAMETER HOLE AT EACH LOCATION.**

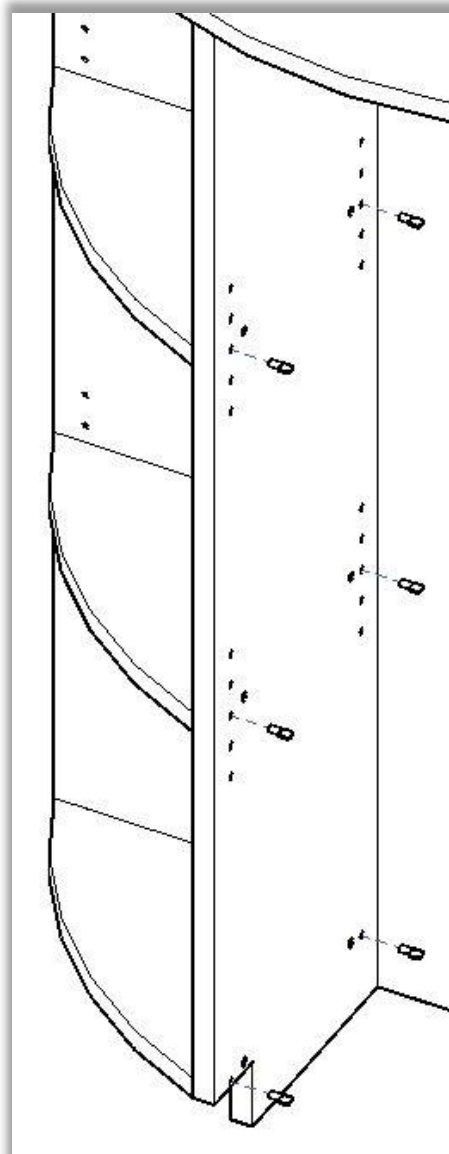


5. Repeat steps 3 and 4 for remaining quarter round shelves at all other locations.
6. Locate the table top. Place the table top on top of the unit making sure the middle support panels align with the dadoes in the bottom of the table top.
7. Attach the table top to the middle support panels at four locations using modesty blocks and 1” wood screws. The middle support panels and table top are not pre-drilled for the modesty block screws. Make sure to pre-drill the holes wherever the modesty blocks are located.



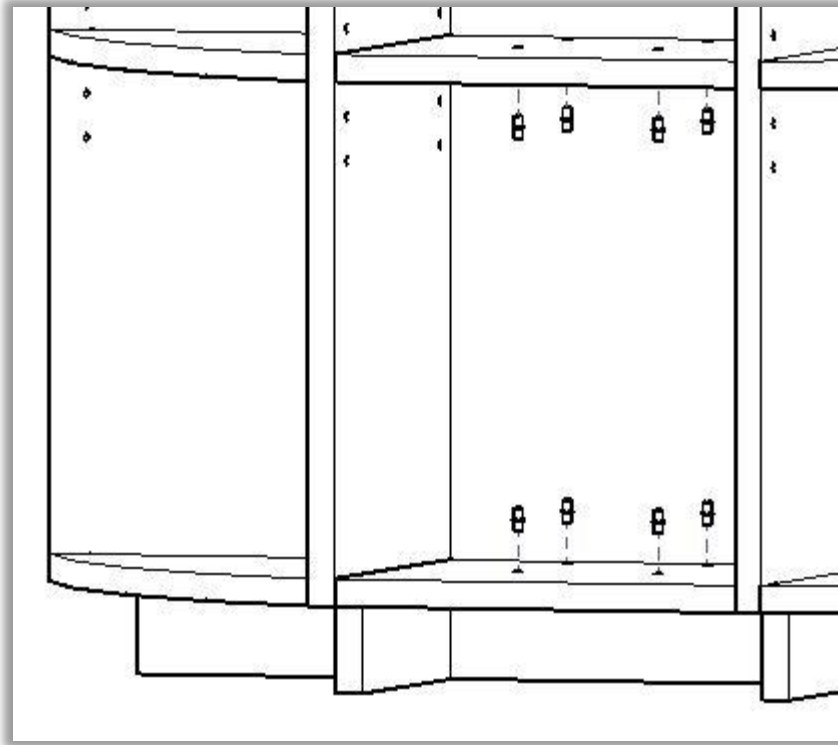
8. Position partially completed unit into its final location.

9. Insert shelf pins into the middle hole of each 5 hole series, 4 per shelf. For the bottom shelves, insert the shelf pins into the larger diameter hole as mentioned in step 4 and as seen below.

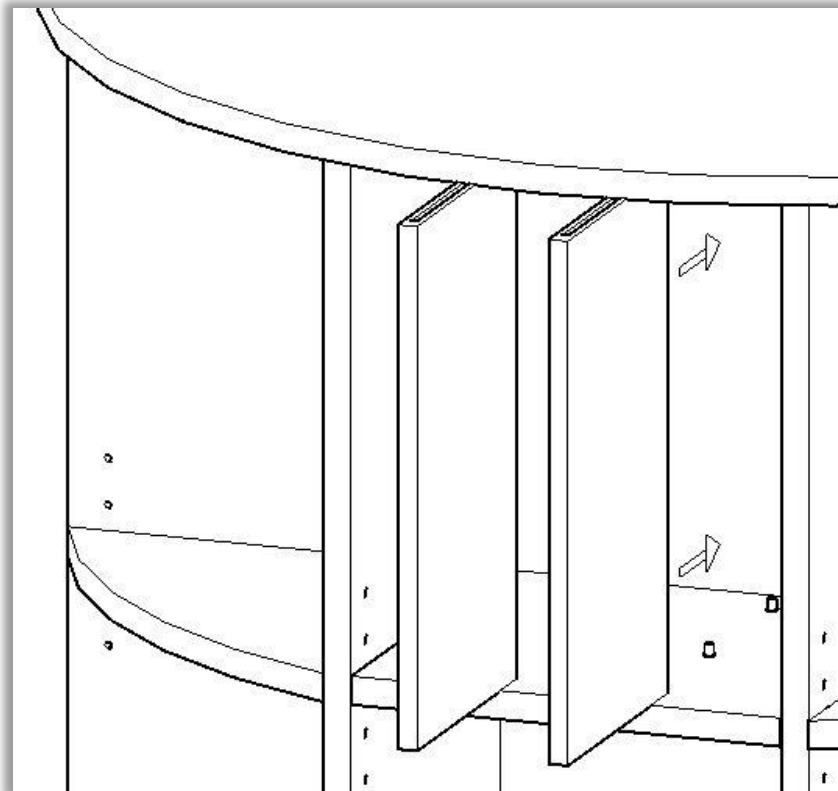


10. Place square shelves on shelf pins making sure that the dadoes on the bottom of each shelf capture the shelf pins. Repeat this step for all square shelves.

11. Locate divider pins. Insert divider pins into the holes on the top and bottom surface of each shelf.



12. Locate the dividers and slide them into place making sure that each divider pin is captured by the groove cut into the top and bottom edge of each divider.



How to Care for Your Stained & Lacquered Wine Racks

Your Vigilant wine racks are built using the highest quality wood and finish available. When properly cared for, your wine racks will last longer than your finest bottles of wine. Here are a few tips on maintaining the quality and consistency of your racking.

Remove Dust: Dust build up from small airborne particles may scratch the surface if not removed correctly. Simply wipe the surface with a cloth dampened with a non-wax cleaning polish or mild detergent.

Clean: Fingerprints, cooking fumes, smoking residue, etc., accumulate on any surface. None of these contaminants will harm our Satin lacquer finish, but they should be periodically removed to restore the finish to its original luster. Just wipe the surface with a cloth dampened with a non-wax containing polish or mild detergent solution. Avoid the use of ammonia based products or silicone oil, as they may cause damage if used over a long period of time.

Our satin lacquer finish is durable and resistant to most household spills. However, spills should be wiped up promptly to avoid potential problems.

Excessive prolonged exposure to direct sunlight, high temperatures and high humidity can cause damage to both the finish and the wood itself. These should be avoided.

Following these simple steps will keep your finished wine racks looking like new for many years.



Questions?

Please contact our Customer Service Department
at 888-812-4427

Vigilant Woodworks
85 Industrial Park Drive
Dover, NH 03820
(603) 285-0400

Info@vigilantinc.com
Website: <http://vigilantinc.com>