



Superior Design & Craftsmanship

Sentinel Series Cigar Humidor End Tables

Assembly Instructions



Models: Sentinel 500, 1000 and 1500

Style: Traditional

SENTINEL ASSEMBLY INSTRUCTIONS

Congratulations! You have purchased a superior cigar humidor. These humidors have been specifically designed to properly store your cigars. Please call toll free 888.812.4427 if you have any questions or problems.

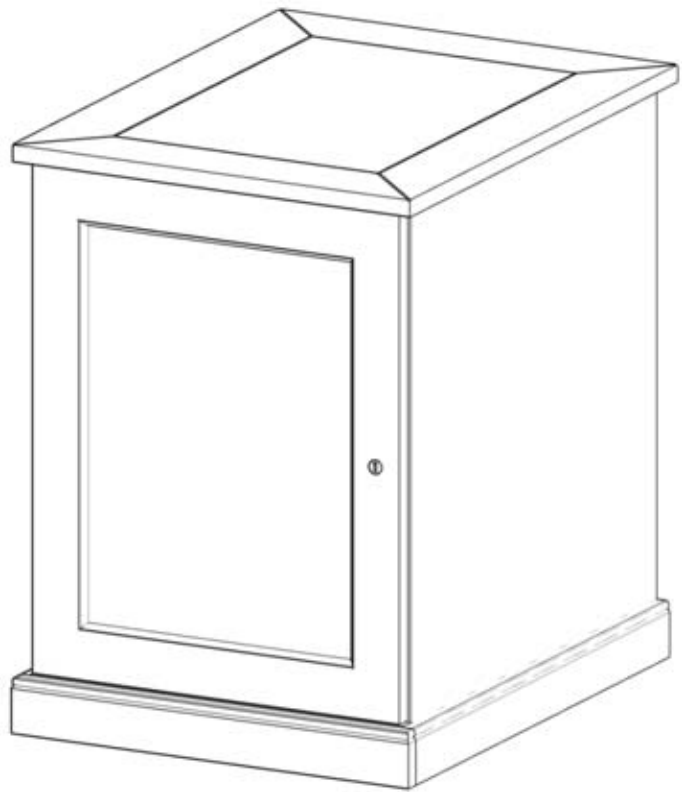
Tools Required: - Phillips Head Screw Driver - Power Drill - 3/16" Drill Bit

PARTS LIST

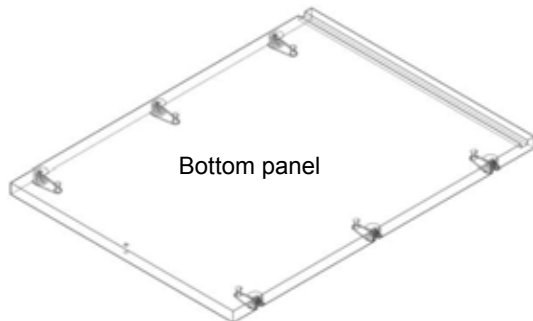
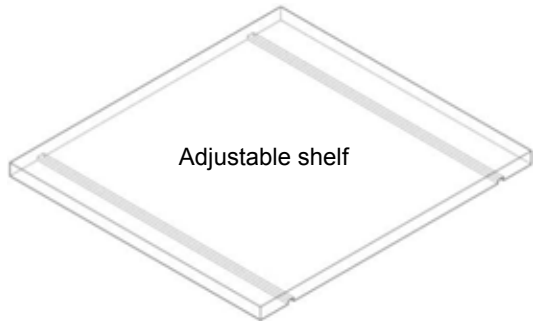
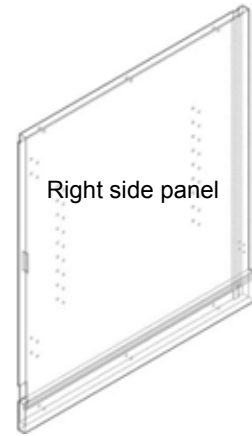
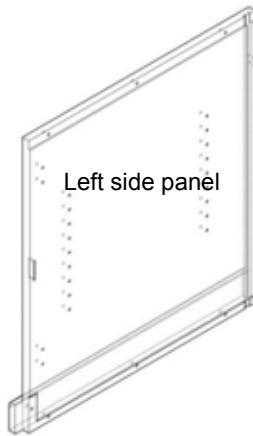
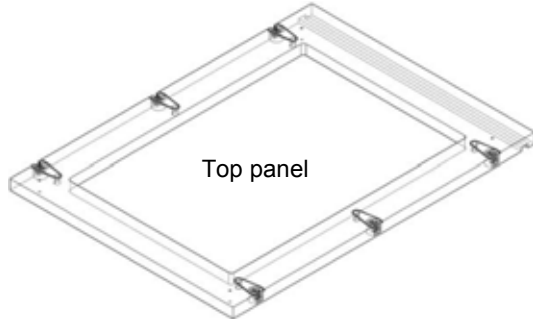
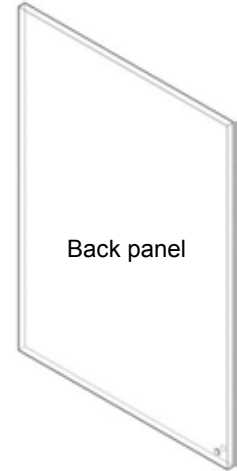
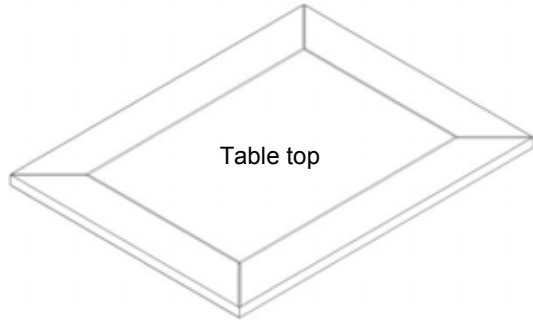
1 top panel, 1 bottom panel
1 front base trim
1 left side panel, 1 right side panel
1 adjustable shelf
1 back panel
1 table top with glass or wood insert
1 reversible door, left or right hinge location
Door pull: knob or bar
1 humidification system
Power cord grommet (See system manual for placement)

Hardware:

4 - 1 1/4" round head washer screws
15 - Connector studs
2 - hinges with hinge plates attached
4 - shelf pins
2 - modesty blocks
6 - 1" wood screws (for modesty blocks)
3/4" spacer block (for top panel placement)
2 keys
Paper templates for door handle placement



Parts for Sentinel Series Cigar Humidor End Table



1-1/4" round head washer screws (4)



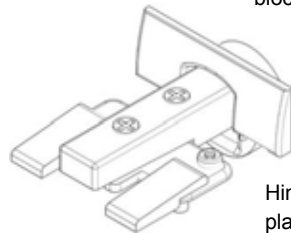
1" wood screws (6) (for modesty blocks)



Connector studs (15)



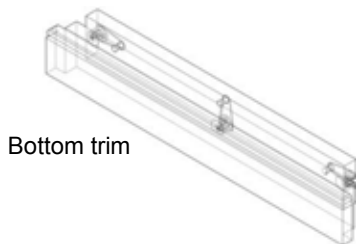
Shelf pins (4)



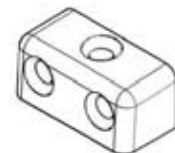
Hinges with hinge plates attached (2)



Power cord grommet

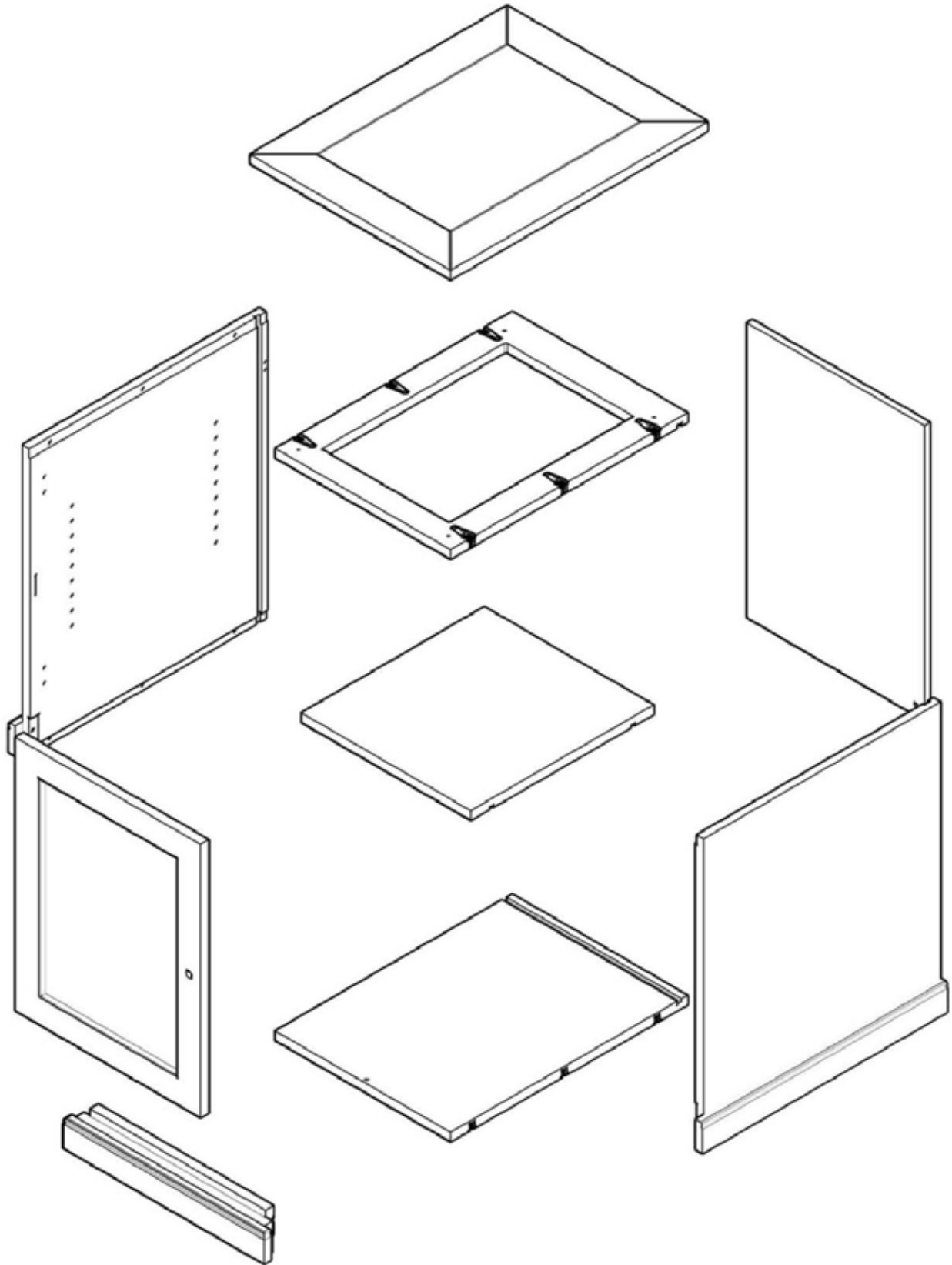


Door pull and screw



Modesty blocks (2)

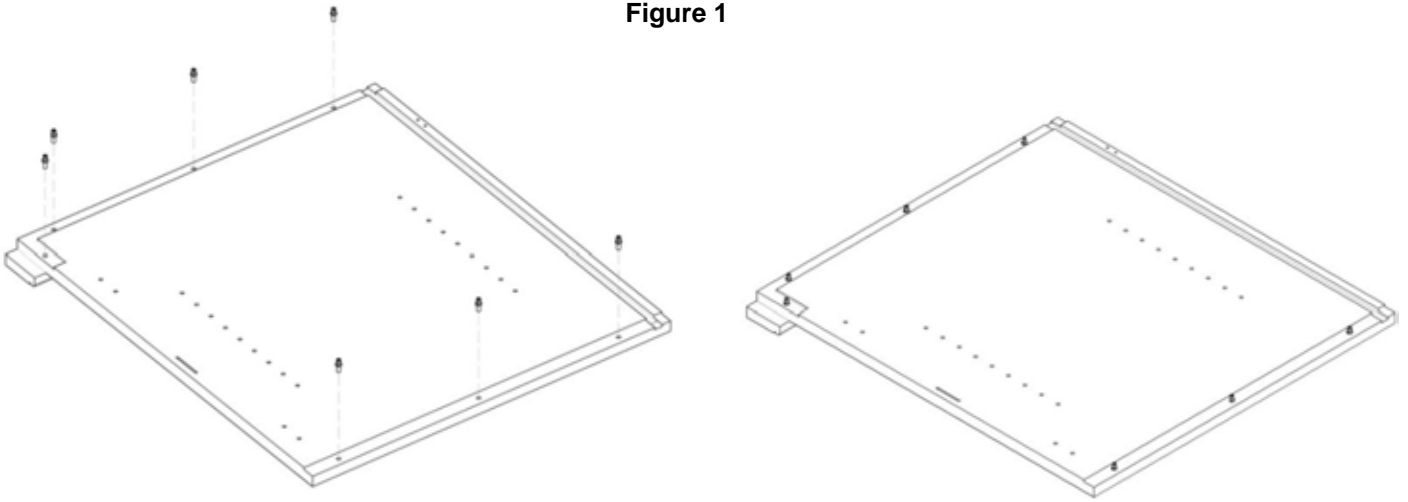
Sentinel Series Cigar Humidor End Table – Exploded View



ASSEMBLY INSTRUCTIONS

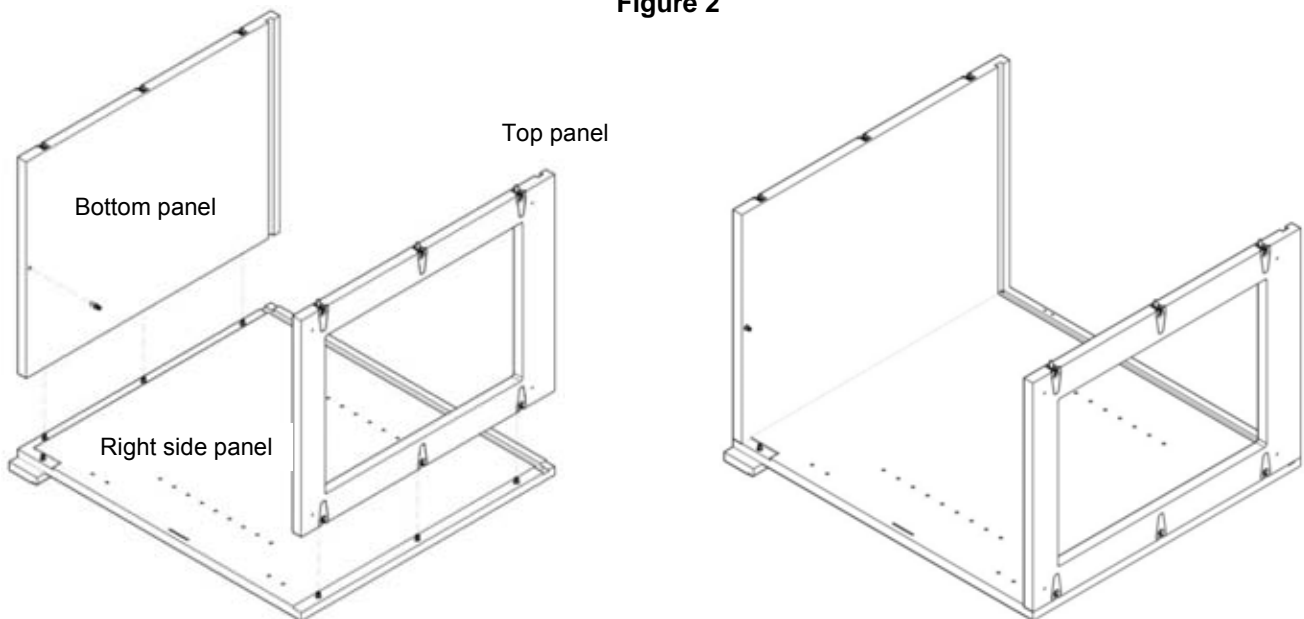
Step 1: Locate the right side panel and lay it on a flat, scratch-free surface (such as a blanket) with the dadoes (or grooves) facing up. Insert 3 connector studs into the provided holes in each dado at the top and bottom of the panel. Insert 1 connector stud at the bottom corner for the trim.

Figure 1



Step 2: Locate the top panel (not the table top). Lining up the dadoes with the side panel, place each cam fitting over the connector studs on the side panel. Make sure that the cam fittings are facing to the outside of the humidior. Tighten the cam fitting around the connector studs by turning clockwise 180 degrees. DO NOT OVER-TIGHTEN.

Figure 2



Locate the bottom panel and attach to the other end of the side panel, following Step 2, above.

Step 3: Locate the back panel and slide it into the dadoes on the top and bottom panels, down into the dado on the side panel. Note that the power cord hole in the back panel should be toward the bottom of the cabinet.

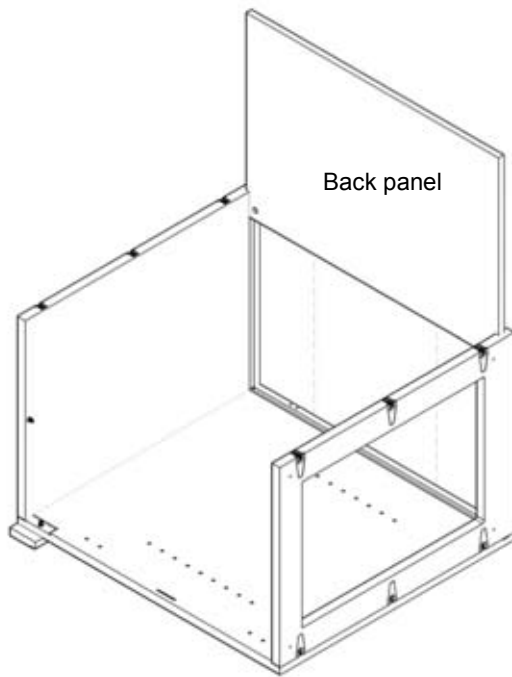
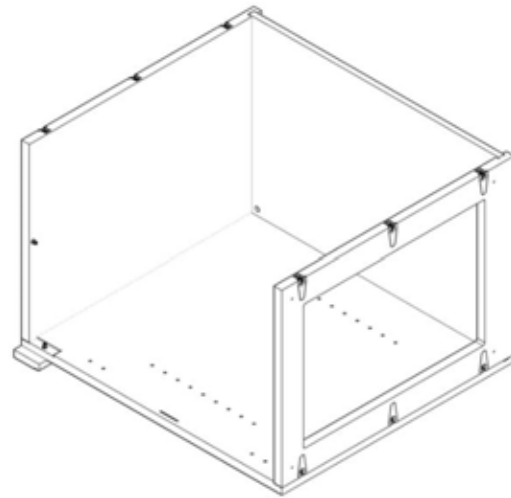


Figure 3



Step 4: Locate the left side panel and place on a flat, protected surface. Insert a connector stud into each of the connector stud holes. Place the left side panel onto the top, bottom and back panels by aligning connector studs with cam fittings and aligning dadoes. Fit the connector studs into each cam fitting on the top and bottom panels. Tighten the cam fittings around the connector studs by turning clockwise 180 degrees. **Do not over-tighten.**

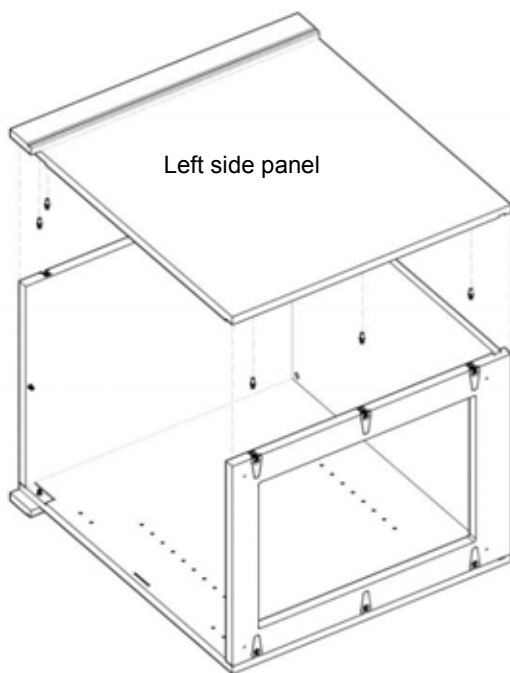
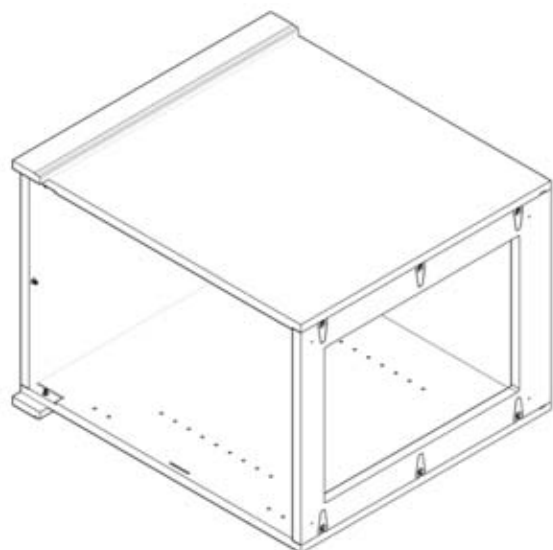
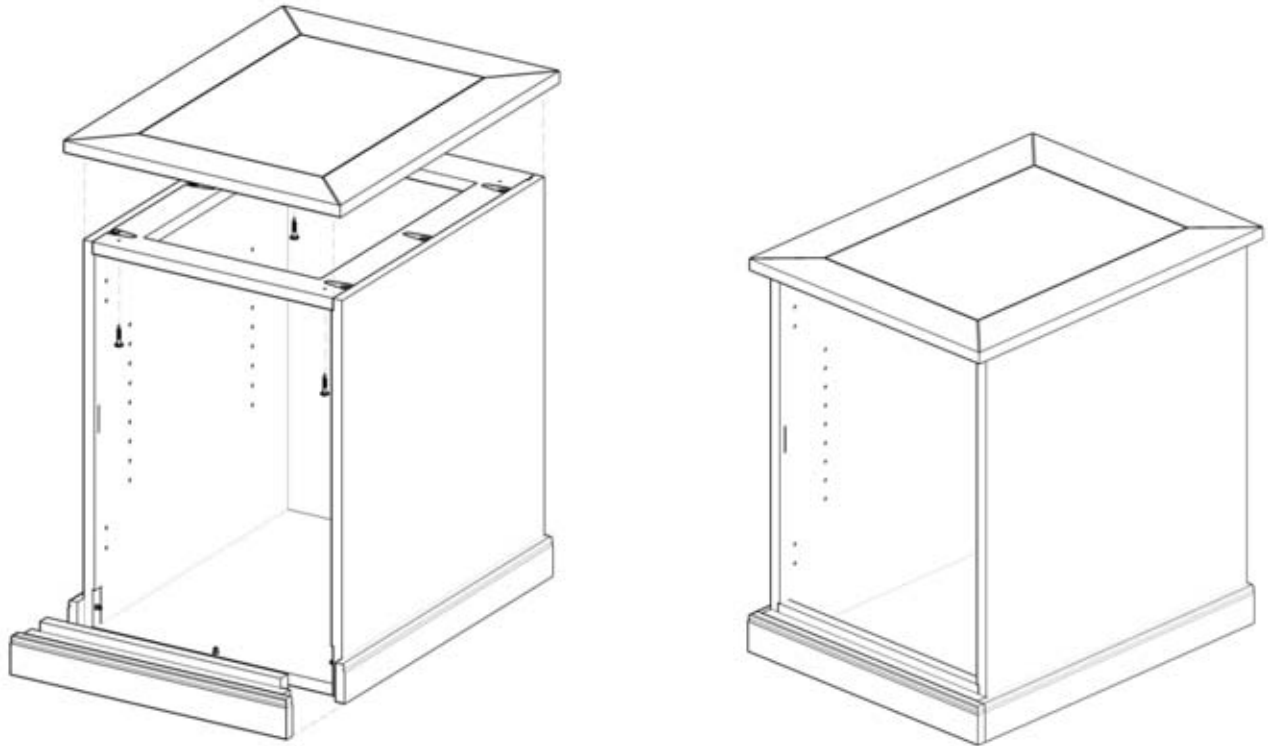


Figure 4



Step 5: Turn the cabinet upright. Locate the front base trim and align with the bottom trim on sides. Slide into the front base of the cabinet. Secure in place by tightening three cam fittings inside bottom front of the cabinet. Turn firmly, but do not over-tighten.

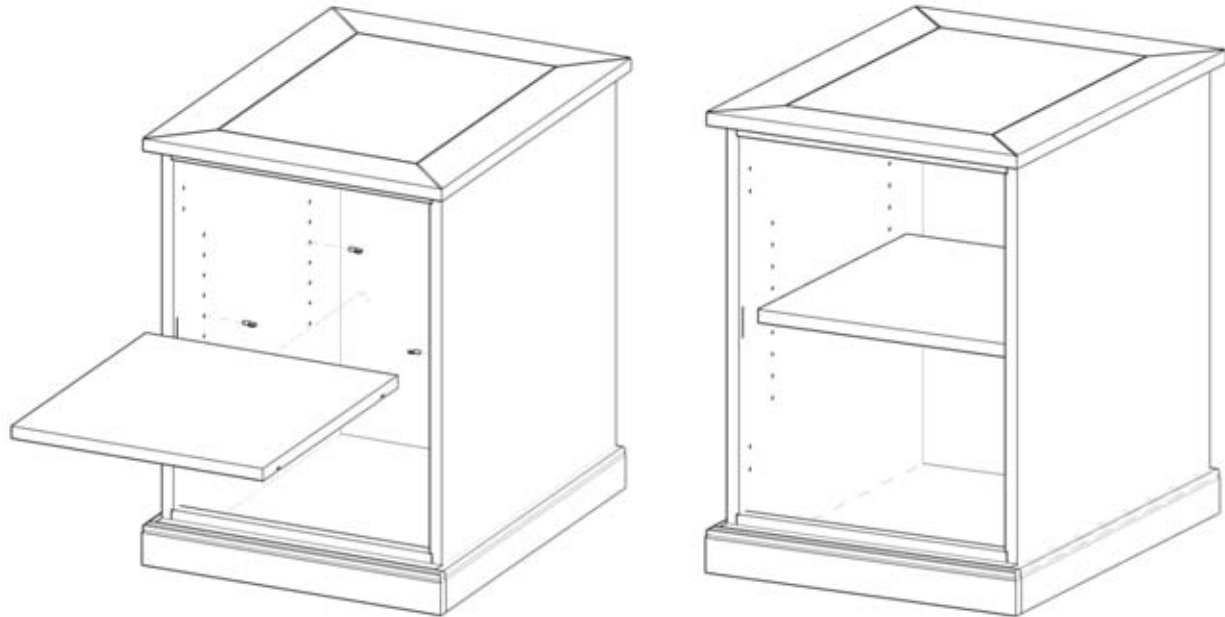
Figure 5 and 6



Step 6: Place the tabletop on top of the sub-top panel with finished side up. Align the table top on the cabinet using provided spacer block for the $\frac{3}{4}$ " overhang on sides and back. The front will overhang by 1- $\frac{1}{2}$ ". Secure the tabletop panel with 4 1- $\frac{1}{4}$ " screws in pre-drilled holes using a screw gun or power drill. You will be working from inside the cabinet.

Step 7: Locate the adjustable shelf and four shelf pins. Insert shelf pins into the chosen position by inserting the pins into holes in the side panels. Set the shelf on top of the shelf pins so that the pins rest in the grooves on the bottom of the shelf. Note that the shelf position leaves space in the back of the cabinet so humidified air can circulate evenly.

Figure 7



Step 8: Door Installation

The versatility of the Vigilant hardware allows you to mount your door to the cabinet with the hinges on the left or the right. Therefore, you must first determine whether the hinges will be attached on the left or the right side of the cabinet. **NOTE:** The hinges and hinge plates are shipped connected as one unit, so be sure to notice how the plate and hinge go together as you separate the parts. Disconnect the plates from the hinges by squeezing the hinge release. (See Figure 8b, page 10.)

- Take the first hinge plate with the arrows pointing toward the front of the cabinet and insert the two black pins in the plate into the pre-drilled holes on the side of the cabinet. Note: the hinge holes do not line up with the shelf pin holes. There is a set at the top and bottom of the cabinet's side panel.
- Take the second hinge plate and repeat by inserting the black hinge plate pins into the holes near the bottom of the side panel, making sure to press the plate firmly against the cabinet side. Snap the levers closed.
- Lay the door on a flat, scratch-free surface with the hinge holes facing up. Take the first hinge, and with rectangular cover plate open, press the round part of the hinge firmly into the holes in the door and snap the rectangular plate closed.
- Repeat for the second hinge.
- Standing the door upright, open the hinges and line them up with the hinge plates on the cabinet.

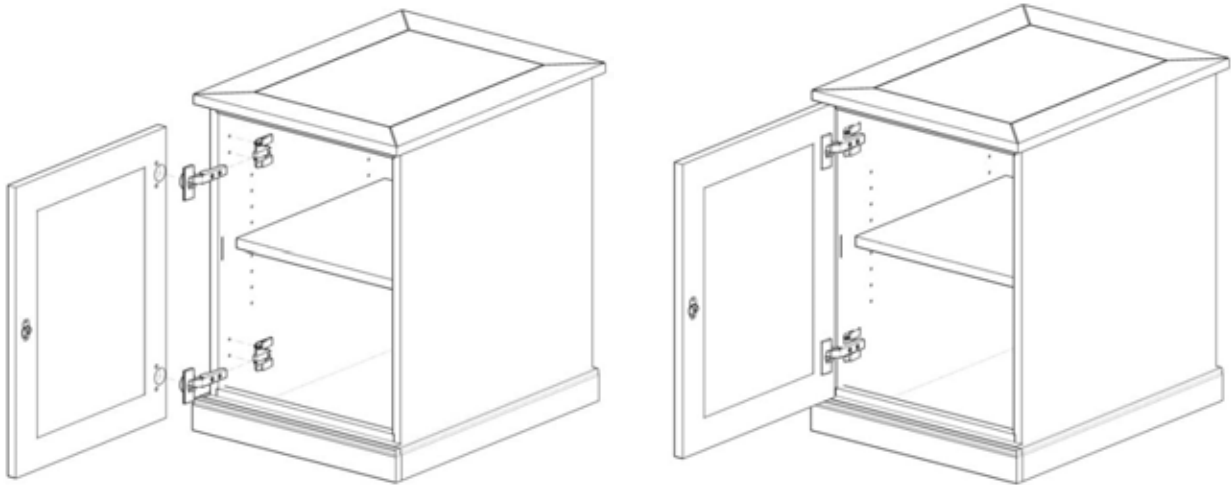
- Align the barrel on the inside of the hinge arm with the two teeth on the front of the hinge plate and press the hinge onto the plate by first pushing back then down onto the plate until it snaps into place (see image 8a).

Figure 8a: Door hinge



- Repeat for the second hinge. You may need to rotate the adjustment screws on the hinge plates in order to get proper vertical alignment between the two hinges.
- Close the door and check it for proper alignment. If the door is not closing properly or does not align exactly with the cabinet front then some simple adjustments will be required.

Figure 8



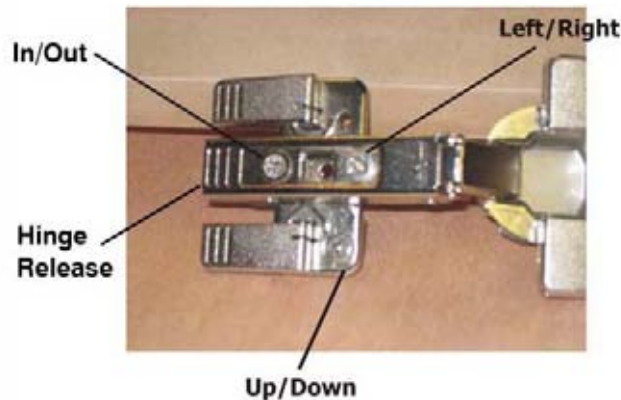
Adjusting the Door Position

The position of the door can be adjusted by turning the screws on the hinge plate. (See image 2.) Line the door unit up with the sides and bottom of the cabinet, adjusting the hinge screws as necessary.

Moving the door up, down, left or right: Turn the adjustment screws on the hinge plate to bring the door up or down. Both screws must be adjusted. The screws on the front of the hinge arm move the door to the left or right. Note that both hinges may need adjustment to get the door exactly square to the cabinet.

Moving the door in or out: Turn the adjustment screw on the back of the hinge arm to move the door closer to the cabinet or farther away. This may be required in order to get the door to land properly on the cabinet front.

Figure 8b
Hinge Adjustment



Troubleshooting Door Position

- **If door is binding on the hinge side:** Turn the In/Out adjustment screws counter clockwise to move the hinge side of the door out slightly.
- **If door is too far away from the cabinet on the hinge side:** Turn the In/Out screw clockwise to move the door closer to the cabinet.
- **If door is not closing tightly at the lock side:** Turn the In/Out adjustment screws counter clockwise slightly until the door closes tightly.
- **If door is not closing tightly at the bottom:** Adjust the bottom hinge only. Turn the In/Out screw clockwise until the top and bottom of the door close evenly.
- **If door is not closing tightly at the top:** Adjust the top hinge only. Turn the In/Out screw clockwise until the door closes tightly at top and bottom

Lock: If the lock does not engage in the slot on the cabinet side, use pliers to gently bend the lock arm inward toward the cabinet until it slides into the groove.

Door Pull

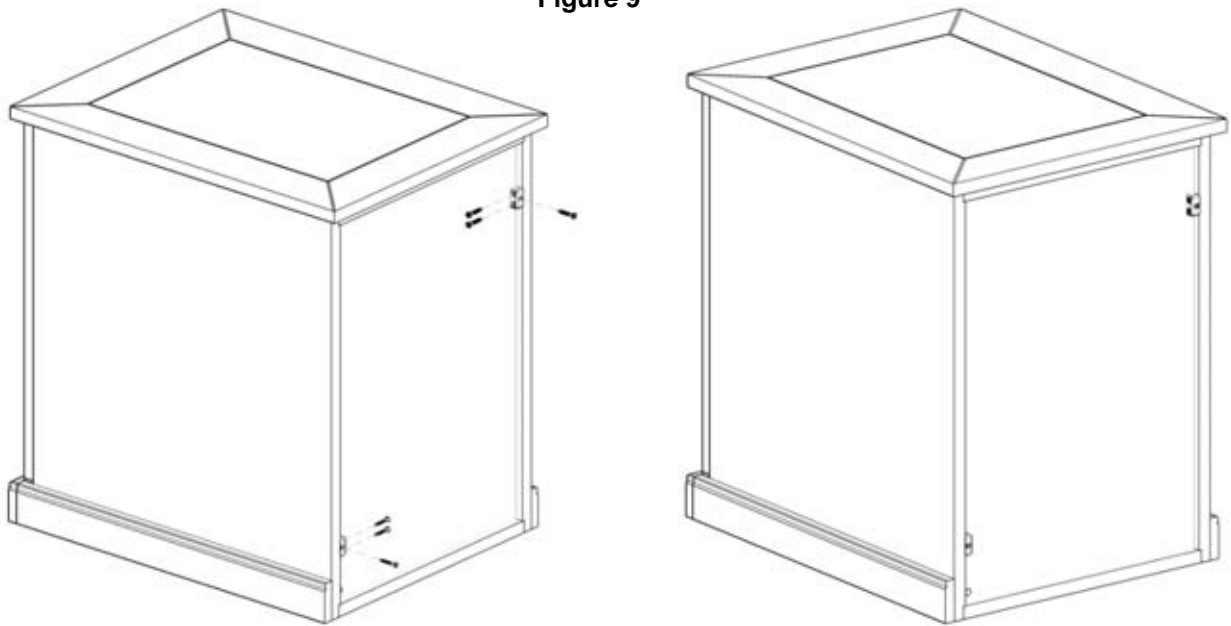
Locate the paper template for location of door hardware. (It's the last page of these instructions.) If you are printing this document, make sure you print it full size without "scaling." The measurements in inches are indicated on the template.

Using the template for location, pre-drill a screw hole with a 3/16" drill bit. Be sure to place a scrap of wood on the back side of the door while pre-drilling to prevent the wood from chipping on the opposite side. Attach the door pull with the screw provided.

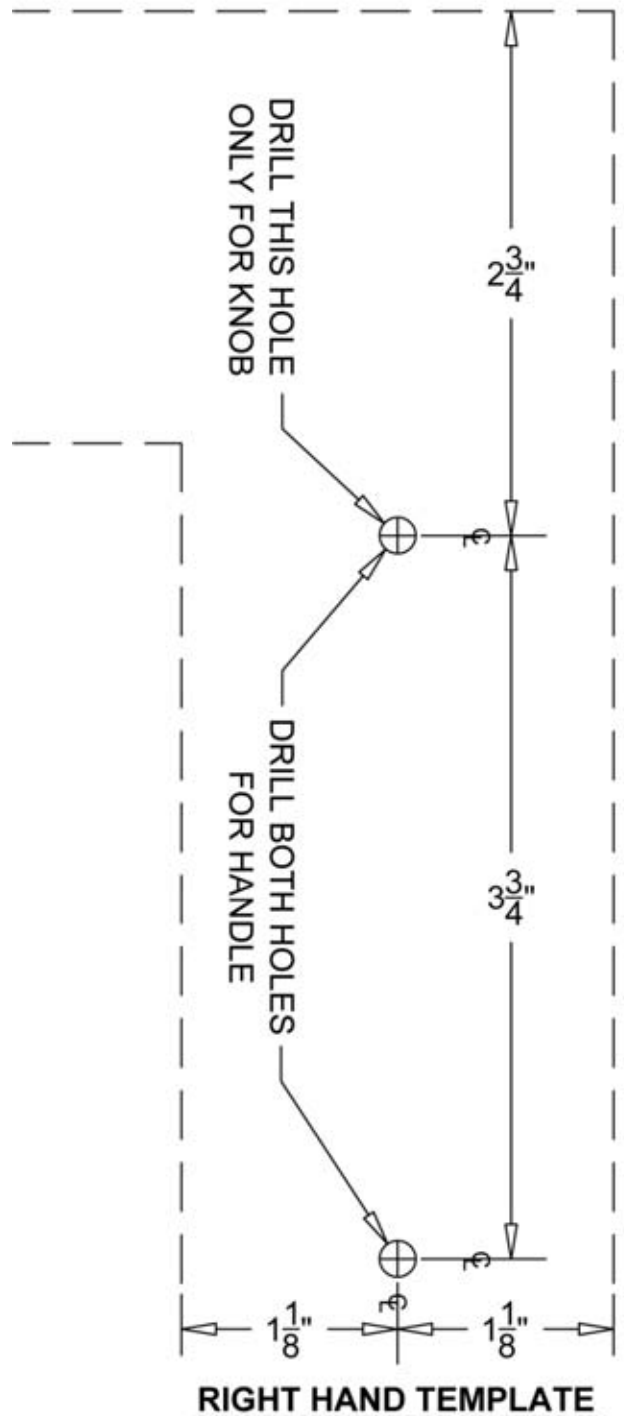
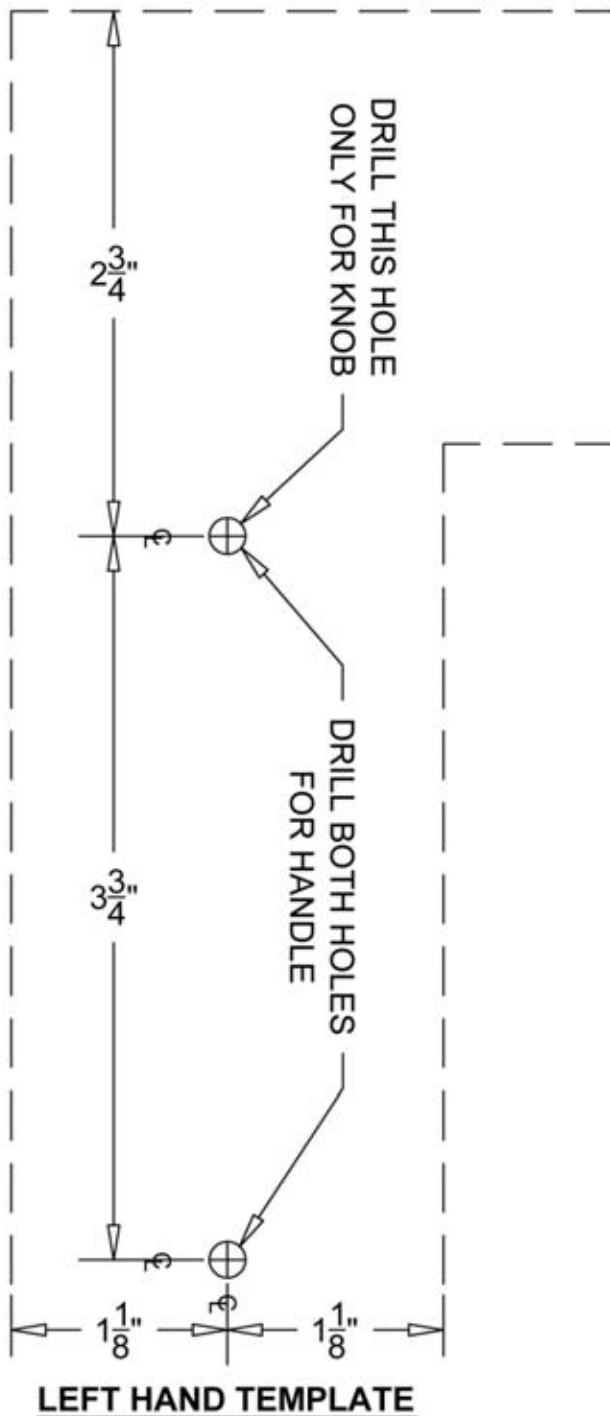
Step 9: Install modesty blocks onto the back panel of the cabinet

Make sure the door and cabinet are "square" and level. Turn cabinet on face and place two modesty blocks in pre-drilled locations on back of cabinet assembly. Using (6) modesty block screws, attach each modesty block to cabinet sides with two screws and to the back with remaining screw.

Figure 9



Optional: If your cabinet has a glass top, place the glass into the grooves on the tabletop.



DOOR KNOB / HANDLE TEMPLATE:

1. USING THE DESIRED LEFT OR RIGHT HAND DOOR TEMPLATE ABOVE, EITHER FOLD OR CUT ALONG THE DASHED LINES REPRESENTING THE TOP CORNER OF THE DOOR.
2. ALIGN THE CORNER OF THE TEMPLATE WITH THE TOP CORNER OF THE OUTER FACE OF THE DOOR, OPPOSITE THE HINGE SIDE.
3. GENTLY TAPE THE TEMPLATE IN PLACE WITH A CLEAN RELEASE TAPE.
4. USING A POWER DRILL WITH A $\frac{3}{16}$ " DRILL BIT, DRILL THROUGH THE FACE OF THE DOOR AT THE TOP HOLE ONLY FOR A KNOB, OR BOTH HOLES FOR A HANDLE.
(PROFESSIONAL TIP: CLAMPING A PIECE OF SCRAP WOOD TO THE BACK OF THE DOOR WHEN DRILLING WILL PRODUCE A CLEAN HOLE WITH NO BURRS OR SPLINTERS)
5. REMOVE PAPER TEMPLATE AND INSTALL KNOB / HANDLE WITH SUPPLIED MACHINE SCREWS.